

self-ordering Kiosk

# M-215D

Solve your wage increase problem with Hanasis self-ordering system.

- Slim & Compact kiosk
- Trendy capacitive touch application



## Key Features

Easy self-service kiosk create a new user experienced for the worldwide customer. With the automation of ordering and payment process, it assist the business operator to redeploy their power for higher value-adding functions such as answering inquires of providing information. accept and have seamless integration with different payment type. Having multiple self-service kiosks in a premise also enable rseveral customers to check out simultaneously.



1  
· 1D, 2D barcode scanner supported



2  
· Handy printer paper replacement



3  
· Space saving design

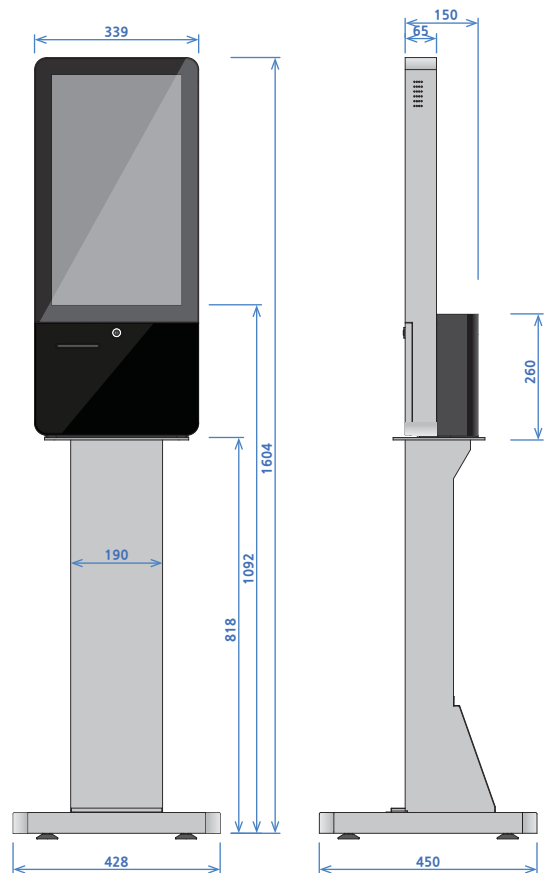
## Specifications

Touch screen	21.5" LED panel screen (1080 x 1920)
CPU	Intel pentium , Intel i3, Intel i5, J1900
Memory	4GB DDR3, SoDIMM ( Max. 8GB)
SSD	mSATA 64GB↑
Extension interface	LAN, USB, Serial(DB9), Serial(RJ-45 )
OS	Window 10 IoT / POSReady 7
Printer	3" Thermal (Width 80.0mm, Diameter Ø80)
Payment terminal	NFC(RF), IC/MSR
Bill/Coin	Not supported
Dimension (mm)	[Desk] 339(W) x 265(D) x 791(H) [Stand] 428(W) x 450(D) x 1604(H)
Weight	[Desk] 20.5kg [Stand] 22.6kg

## Optional

Scanner	1D or 2D
Wireless serial	RF-COM
Camera	USB camera

## Dimension



AUTHORIZED DEALER

Hanasis recommend to use Micro window10 OS.



**HANASIS Co., Ltd.**

(Post code : 16648)17, Saneop-ro 155beon-gil, Gwonseon-gu, Suwon-City, Gyeonggi-do, 16648, South KOREA

**T** +82 70-4732-5264

**F** 031-297-4381

**M** smkim@hanasis.com

<http://www.hanasis.com>